

AM-50BAE(-AD)

Item # _____

Project: _____

Qty: _____

*AutoCad available on KCL

SELF-CONTAINED CUBER WITH BUILT-IN STORAGE BIN

AM-50BAE(-AD)

9/05

Item # 13158

AM-50BAE DIMENSIONS

W x D x H

14^{7/8} x 22^{5/8} x 33^{1/2}

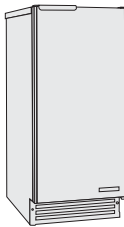
AM-50BAE-AD DIMENSIONS

W x D x H

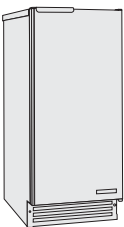
14^{7/8} x 22^{5/8} x 31^{1/2}



AM-50BAE



AM-50BAE



AM-50BAE-AD

- AM-50BAE - undercounter design is less than 34 inches tall
- AM-50BAE-AD - undercounter design is less than 32 inches tall, which complies with the Americans with Disabilities Act (ADA)
- Up to 55 lbs. of ice production per 24 hours
- Durable stainless steel exterior
- UL approval for outdoor use
- Up to 27 lbs. of built-in storage capacity
- Power switch accessible without panel removal
- Easily disassembled water circuit for easy cleaning
- Front in, front out airflow
- Fewer moving parts for longer life
- Swing style reversible door
- Side trim kit available
- R-134A Refrigerant



Warranty

Valid in United States, Canada, Puerto Rico, & U.S. Territories. Contact factory for warranty in other countries.

Two Year - Parts & Labor on entire machine.



SELF-CONTAINED CUBER WITH BUILT-IN STORAGE BIN

AM-50BAE(-AD)

DIMENSIONS

W x D x H

AM-50BAE
14^{7/8} x 22^{5/8} x 33^{1/2}

AM-50BAE-AD
14^{7/8} x 22^{5/8} x 31^{1/2}

AIR-COOLED

Water Temp° F.	50°
Air Temp° F.	70°
	55 lbs.

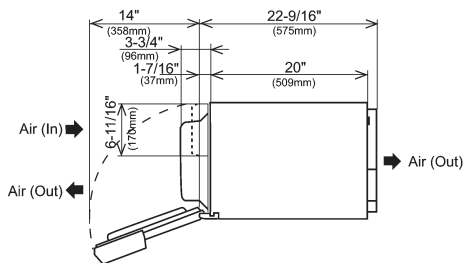
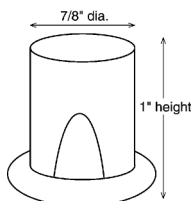
UTILITY CONSUMPTION (AIR 70°F/WATER 50°F)

Model Number	Ice Production Per Cycle		KWH per 100 LBS.	Potable Water Gal. per 100 lbs.	Condenser Water Gal. per 100 lbs.
	Lbs.	Cubes			
AM-50BAE(-AD)	0.65	24	9.9	53.7	NA

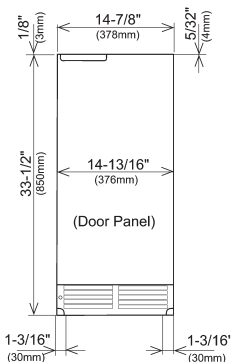
SPECIFICATIONS

Model Number	Condenser	Amperage	Min. Circuit Ampacity	Shipping Weight
AM-50BAE(-AD)	Air-Cooled	3.4	15	115 lbs.

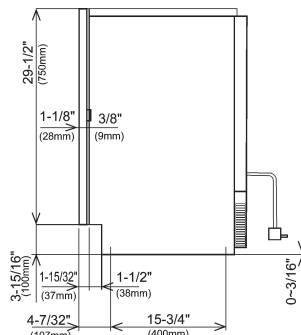
AM CUBE DIMENSIONS



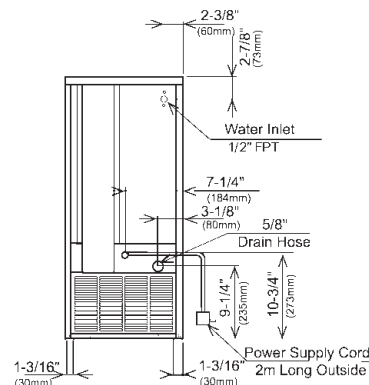
TOP DIMENSIONS



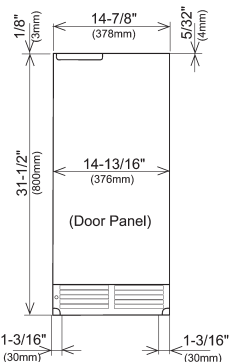
FRONT DIMENSIONS



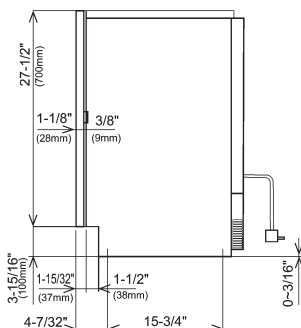
SIDE DIMENSIONS



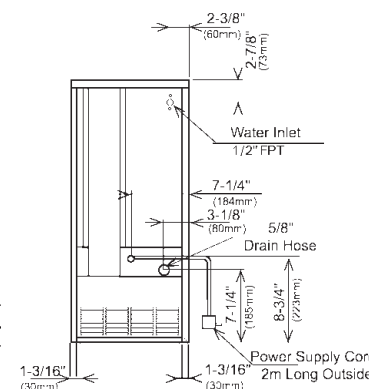
BACK DIMENSIONS



FRONT DIMENSIONS
(ADA compliant unit)



SIDE DIMENSIONS
(ADA compliant unit)



BACK DIMENSIONS
(ADA compliant unit)

ELECTRICAL & PLUMBING/AM-50BAE(-AD)

- 115V/60/1
- 15 amp Max Fuse/HACR Breaker Size
- 1/2" FPT Water Inlet

OPERATING LIMITS

- Ambient Temp Range 45 - 100°F
- Water Temp Range 45 - 95°F
- Water Pressure 7 - 113psig
- Voltage Range 104 - 127V

