

# KM-151BAH

## SELF-CONTAINED CUBER WITH BUILT-IN STORAGE BIN

Item # \_\_\_\_\_

Project: \_\_\_\_\_

Qty: \_\_\_\_\_

\*AutoCad available on KCL

KM-151BAH

11/07

Item # 13210



### CUBER DIMENSIONS W x D x H

**KM-151BAH**  
23<sup>3/4</sup> x 28 x 39\*  
\* with 6" legs



### KM-151BAH

Air-Cooled  
Shown

- Up to 146 lbs. of ice production per 24 hours
- Up to 93 lbs. of built-in storage capacity
- Individual crescent cube
- Durable stainless steel exterior
- CycleSaver® Design 
- EverCheck® alert system 
- Front in, front out airflow
- Stainless steel evaporator
- Slide in door
- Removable air filter
- Power switch accessible without panel removal
- Built-in installation possible
- Complies with California Energy Commission (CEC)
- R-134a Refrigerant



### Warranty

Valid in United States, Canada, Puerto Rico, & U.S. Territories. Contact factory for warranty in other countries.

**Three Year** - Parts & Labor on entire machine.

**Five Year** - Parts on compressor and air-cooled condenser coil.

**Five Year** - Parts on evaporator.



# KM-151BAH SELF-CONTAINED CUBER WITH BUILT-IN STORAGE BIN

## DIMENSIONS

W x D x H

**KM-151BAH**  
23<sup>3/4</sup> x 28 x 39\*  
\*with 6" legs

• Air-cooled

## AIR-COOLED

Water Temp ° F.	50°	70°	90°
Air Temp ° F. 70°	146	139	129
80°	140	129	119
90°	139	121	111

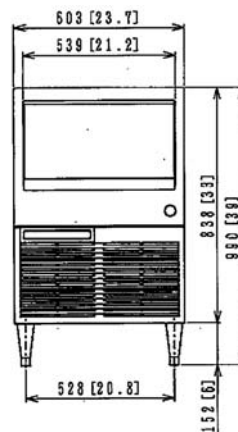
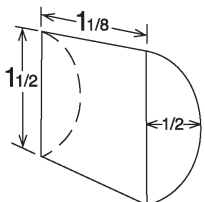
## UTILITY CONSUMPTION

Model Number	Ice Production Per Cycle		KWH per 100 LBS.	Potable Water Gal. per 100 lbs.	Condenser Water Gal. per 100 lbs.
	Lbs.	Cubes			
KM-151BAH	2.75	130	8.4	17.8	N/A

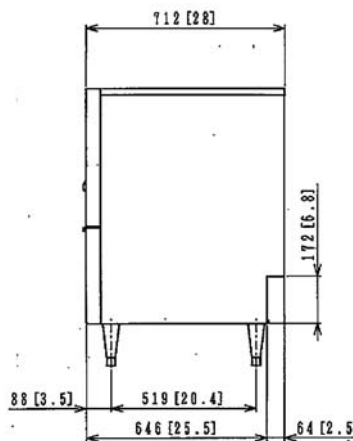
## SPECIFICATIONS

Model Number	Condenser	Amperage	Min. Circuit Ampacity	Shipping Weight
KM-151BAH	Air-Cooled	7.0	15A	150 lbs.

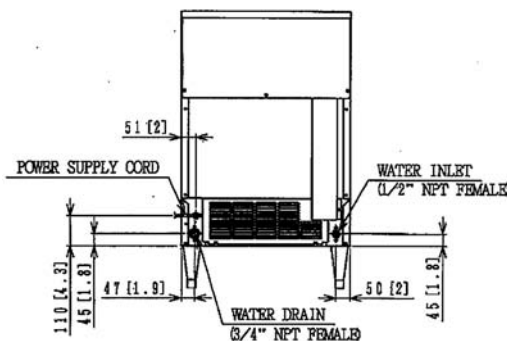
## KM CUBE DIMENSIONS



FRONT DIMENSIONS



SIDE DIMENSIONS



BACK DIMENSIONS

## ELECTRICAL & PLUMBING/KM-151BAH

- 115V/60/1
- 15 amp Max Fuse/HACR Breaker Size
- 3/8" OD copper or equivalent independent potable water supply
- 3/4" independent drain connection
- 1/2" FPT Water Inlet

## OPERATING LIMITS

- Ambient Temp Range 45 - 100°F
- Water Temp Range 45 - 90°F
- Water Pressure 10 - 113psig
- Voltage Range 104 - 127V



© HOSHIZAKI AMERICA, INC.

618 Hwy. 74 S., Peachtree City, GA 30269

TEL 1-800-438-6087

FAX 1-800-345-1325

www.hoshizaki.com

Printed in U.S.A.

