

# KM-1340M\_H

## MODULAR CRESCENT ICE CUBER

Item # \_\_\_\_\_

Project: \_\_\_\_\_

Qty: \_\_\_\_\_

\*AutoCad available on KCL

KM-1340M\_H

I/13

Item # 13175

### CUBER DIMENSIONS

W x D x H

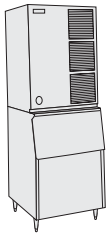
**KM-1340M\_H**  
30 x 27<sup>3/8</sup> x 41<sup>1/2</sup>

### CONDENSING UNIT DIMENSIONS

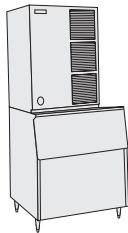
W x D x H

**Installation Dimensions URC-14F**  
37<sup>13/16</sup> x 18<sup>1/8</sup> x 36<sup>15/16</sup>\*  
\*with legs

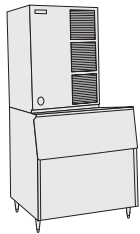
**Actual Dimensions URC-14F**  
35<sup>11/16</sup> x 15<sup>11/16</sup> x 21<sup>15/16</sup>



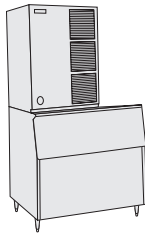
B-500



B-700



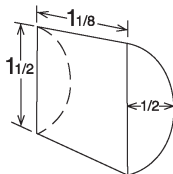
B-800



B-900

Also available on Large Bins:  
B-1150SS  
B-1300SS  
B-1500SS  
B-1650SS

### KM CUBE DIMENSIONS



### KM-1340MAH

Air-Cooled  
Shown on an optional B-900




### KM-1340MWH

Water-Cooled

### KM-1340MRH

Remote Air-Cooled



- Up to 140 lbs. of ice production per 24 hours
- Durable stainless steel exterior
- Protected by H-GUARD Plus Antimicrobial Agent 
- CycleSaver® design 
- EverCheck® alert system 
- Individual crescent cube
- Stainless steel evaporator
- Removable air filters (Air-cooled model only)
- R-404A Refrigerant

\* The KM-1340MRH is ENERGY STAR qualified.

### Warranty

Valid in United States, Canada, Puerto Rico, & U.S. Territories. Contact factory for warranty in other countries.

**Three Year** - Parts & Labor on entire machine.

**Five Year** - Parts & Labor on: Evaporator.

**Five Year** - Parts on: Compressor, air-cooled condenser coil.



15207001-5216008



# Hoshizaki

## KM-1340M\_H MODULAR CRESCENT ICE CUBER

**DIMENSIONS**  
W x D x H  
**KM-1340M\_H**  
30 x 27<sup>3/8</sup> x 41<sup>1/2</sup>

### MODULAR ICE CUBER

- Air-cooled
- Water-cooled
- Remote Air-cooled

#### AIR - COOLED

Water Temp° F.		50°	70°	90°
Air Temp° F.	70°	1325	1278	1200
	80°	1289	1218	1130
	90°	1278	<b>1167</b>	1081

#### WATER - COOLED

Water Temp° F.		50°	70°	90°
Air Temp° F.	70°	1382	1366	1284
	80°	1370	1344	1230
	90°	1366	<b>1327</b>	1224

#### REMOTE AIR - COOLED

Water Temp° F.		50°	70°	90°
Air Temp° F.	70°	1401	1357	1274
	80°	1367	1299	1204
	90°	1357	<b>1251</b>	1159

#### UTILITY CONSUMPTION

Model Number	Ice Production Per Cycle		KWH per 100 LBS.	Potable Water Gal. per 100 lbs.	Condenser Water Gal. per 100 lbs.
	Lbs.	Cubes			
KM-1340MAH	28.1	1440	4.7	18.3	N/A
KM-1340MWH	28.4	1440	3.6	21.0	108
KM-1340MRH	28.7	1440	4.5	18.3	N/A

#### SPECIFICATIONS

Model Number	Condenser	Amperage	Min. Circuit Ampacity	Shipping Weight
KM-1340MAH	Air-Cooled	9.7	20	315 lbs.
KM-1340MWH	Water-Cooled	9.2	20	293 lbs.
KM-1340MRH	Remote Air-Cooled	9.5	20	289 lbs.

#### STORAGE BINS

Model Number	Application Capacity	ARI-Rated Capacity
B-500	500 lbs.	360 lbs.
B-700	700 lbs.	550 lbs.
B-800	800 lbs.	600 lbs.
B-900	900 lbs.	660 lbs.
B-1150	1150 lbs.	N/A
B-1300	1275 lbs.	N/A
B-1500	1490 lbs.	N/A
B-1650	1605 lbs.	N/A

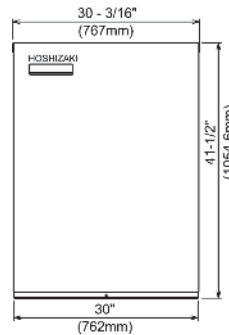
#### ELECTRICAL & PLUMBING/KM-1340M\_H

- 208 - 230V/60/1 (3 wire with neutral for 115V)
- 20 amp Max Fuse
- 1/2" FPT copper or equivalent independent potable water supply
- 3/4" FPT independent drain connection
- 3/8" OD Tube

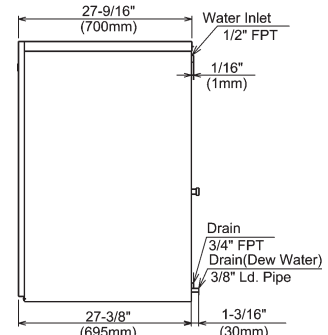


© HOSHIZAKI AMERICA, INC.

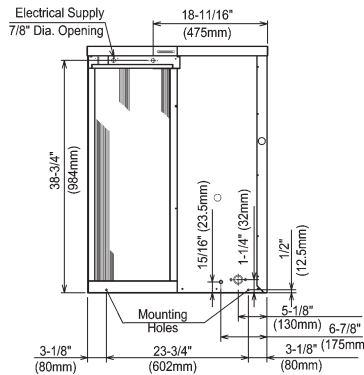
618 Hwy. 74 S., Peachtree City, GA 30269



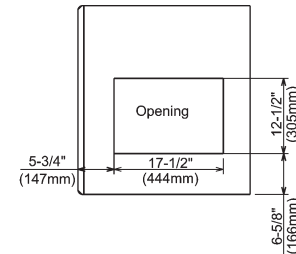
FRONT VIEW



SIDE VIEW

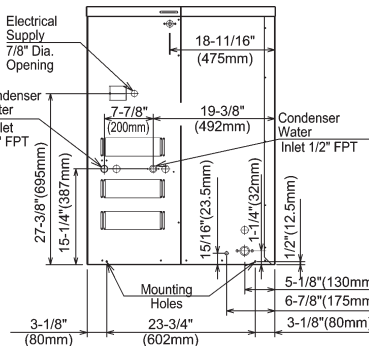


AIR-COOLED UNIT

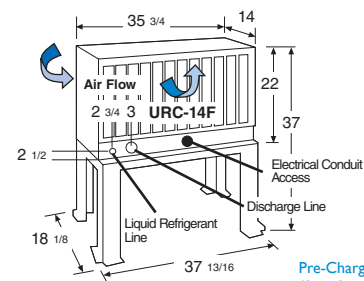


ICE DROP ZONE

URC-14F Remote Condenser (Sold Separately)  
For Use with KM-1340MRH



WATER-COOLED UNIT



Pre-Charged Tubing Kits  
(Sold Separately)  
20' R404-2068-2  
35' R404-3568-2  
55' R404-5568-2

Voltage supply for the URC Remote Condenser is supplied from the Ice Maker. No additional circuit is required.

#### OPERATING LIMITS

- Ambient Temp Range 45 - 100°F
- Water Temp Range 45 - 90°F
- Water Pressure 10 - 113psig
- Voltage Range 187 - 253V

#### CONDENSING UNIT

- Voltage Range 104 - 127V
- Ambient Temp Range -20 - 122°F

#### SERVICE

- Panels easily removed and all components accessible for service.
- Removable/cleanable air filters (Air-cooled model only)

