

F-330BAH-C

SELF-CONTAINED CUBELET WITH BUILT-IN STORAGE BIN

Item # _____

Project: _____

Qty: _____

*AutoCad available on KCL

F-330BAH-C

I/13

Item # 13218

CUBELET DIMENSIONS

W x D x H

F-330BAH-C

24 x 26 x 39*

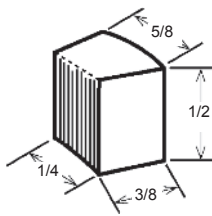
*with 6" legs


F-330BAH-C

Air-Cooled
Shown



CUBELET DIMENSIONS



- Up to 320 lbs. of ice production per 24 hours
 - Up to 80 lbs. built-in storage
 - Corrosion resistant stainless steel
 - Automatic flush system designed for longer life and dependability of ice machine
 - Evaporator assembly protected from peak loads
 - Convenient drop down door
 - Front access for easier maintenance
 - Removable air filter
 - Front in, front out airflow - allows for easier fit into tight spaces with no clearance needed on sides and rear
 - R-404 Refrigerant
 - Protected by H-GUARD Plus Antimicrobial Agent 
- * The F-330BAH-C is ENERGY STAR qualified.



ISO9001-15014E01

Warranty

Valid in United States, Canada, Puerto Rico, & U.S. Territories. Contact factory for warranty in other countries.

Three Year - Parts & Labor on entire machine. (Serial numbers Vxxxxx) and after.)

Five Year - Parts on: Compressor, air-cooled condenser coil.



F-330BAH-C

SELF-CONTAINED CUBELET WITH BUILT-IN STORAGE BIN

DIMENSIONS

W x D x H

F-330BAH-C
24 x 26 x 39"
*with 6" legs

• Air-cooled

AIR-COOLED

Water Temp° F.	50°	70°	90°	
Air Temp° F.	70°	320	300	290
	80°	275	265	250
	90°	240	230	220

UTILITY CONSUMPTION

Model Number	KWH per 100 LBS.		Potable Water Gal. per 100 lbs.
	90/70	70/50	
F-330BAH-C	6.7	4.5	12.0

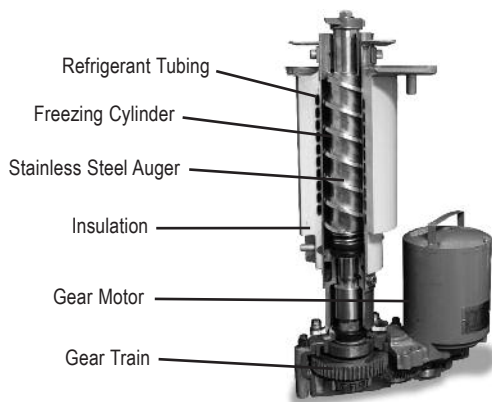
SPECIFICATIONS

Model Number	Condenser	Amperage	Min. Circuit Ampacity	Shipping Weight
F-330BAH-C	Air-Cooled	7.4	N/A	178 lbs.

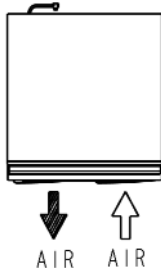
STORAGE BINS

Model Number	Application Capacity
F-330BAH-C	Built-in 80 lb. capacity

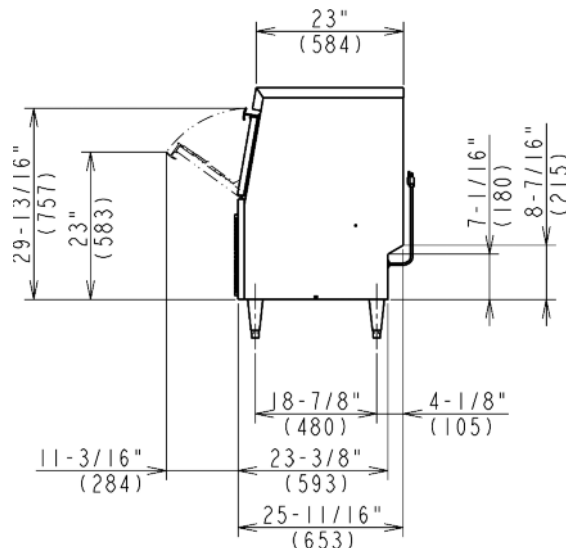
- Circuit breaker or fuse protects gear motor from overload.
- Gear motor runs one minute after termination of ice making to clear all ice from evaporator.



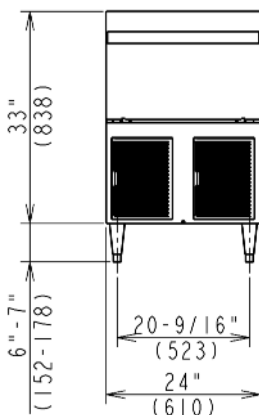
EVAPORATOR



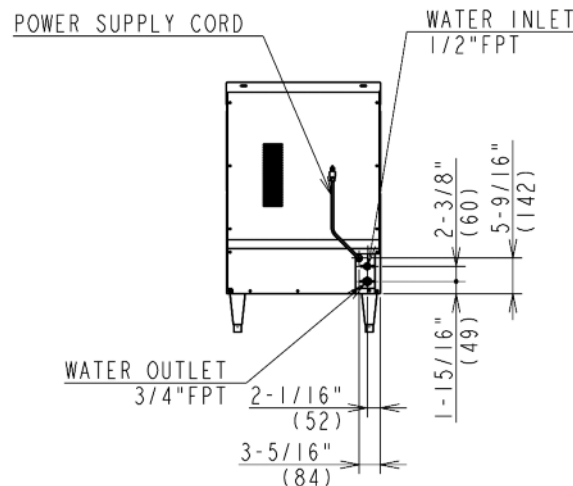
TOP VIEW



SIDE VIEW



FRONT VIEW



REAR VIEW

ELECTRICAL & PLUMBING/F-330BAH-C

- 115V/60/1
- 3/8" OD copper or equivalent independent potable water supply
- 3/4" FPT independent drain connection

OPERATING LIMITS

- Ambient Temp Range 45 - 100°F
- Water Temp Range 45 - 90°F
- Water Pressure 10 - 113psig
- Voltage Range 104 - 127V

SERVICE

- Panels easily removed and all components accessible for service.
- Removable/cleanable air filters



© HOSHIZAKI AMERICA, INC.

618 Hwy. 74 S., Peachtree City, GA 30269

TEL 1-800-438-6087

FAX 1-800-345-1325

www.hoshizaki.com

Printed in U.S.A.

