



# DCM-271BAH

## CUBELET ICE MACHINE AND WATER DISPENSER



DCM-271BAH  
02/01/21  
Item # 13549

**W x D x H**  
**16<sup>5</sup>/<sub>8</sub>" x 24<sup>1</sup>/<sub>4</sub>" x 31<sup>3</sup>/<sub>4</sub>" \***  
\*including 4" legs





Lower buttons for easy wheelchair access



Item #: \_\_\_\_\_  
Project: \_\_\_\_\_  
Qty: \_\_\_\_\_  
AIA#: \_\_\_\_\_

### Features

- ▶ LED touch buttons, upper and lower
- ▶ 10<sup>1</sup>/<sub>4</sub>" cup clearance
- ▶ Quieter operation
- ▶ ADA Compliant 

- Attractive modern design
- Easy to chew, Cubelet ice
- Up to 257 lbs. of ice production per 24 hours
- Built-in storage capacity of 0.3ft<sup>3</sup>/10 lbs.\*
- Durable stainless steel drain pan grate
- Easy-cleaning removable spout
- 2-second flush cycle every hour
- Advanced CleanCycle24™ design 
- Protected by H-GUARD Plus Antimicrobial Agent 
- 6 ft. cord with a NEMA 5-15 plug
- R-404A Refrigerant

### Warranty:

3 Year Parts & Labor on entire machine.  
5 Year Parts on Compressor; air-cooled condenser coil.  
Valid in United States, Canada, Puerto Rico and U.S. Territories. Contact factory for warranty in other countries.

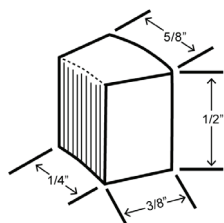
\*Rated in accordance with AHRI Standard 820(I-P). Capacity based on 100% of total volume x 30 lb/ft<sup>3</sup> average density of ice.

Shipping: (LxWxH) 20.88" x 30.63" X 36.25" Volume: 13.42ft<sup>3</sup>

Condenser	Model	ICE PRODUCTION		WATER USAGE		ELECTRICAL						
		Air / Water Temp Lbs. per 24 hours 70°/ 50°F 90°/ 70°F		Potable Gal. per 100 lbs. 90°/ 70°F	Condenser Gal. per 100 lbs. 90°/ 70°F	kWh Used per 100 lbs. 90°/ 70°F	Max. Fuse Size or HACR Circuit Breaker	Amperage	Voltage	Heat Rejection BTU/hr.	Refrigerant Charge Amount	Net / Ship Weight (lbs.)
Air-Cooled	DCM-271BAH	257	196	12.0	N/A	6.9	15A	8.5A	115V/60/1	3,300	14.8 oz	136 / 154

Power cord included.

### Cubelet Dimensions\*



\* approximate size in inches, image not to scale

### Operating Limits

- Ambient Temp Range 45 - 100°F
- Water Temp Range 45 - 90°F
- Water Pressure 10 - 113 PSIG
- Voltage Range 104 - 127V

### Service

- Allow 6" (15cm) clearance at rear and sides for proper air circulation and ease of maintenance and/or service should they be required. Allow 24" (61 cm) clearance at top to allow for removal of auger.

Not intended for outdoor use - avoid placement in direct sunlight.

### Plumbing

- Icemaker Water Supply Line: Minimum 1/4" Nominal ID Copper Water Tubing or Equivalent
- Icemaker Drain Line: Minimum 3/4" Nominal ID Hard Pipe or Equivalent
- 3/4" MPT drain

### Water Filter

Please refer to water filter specification sheet for recommendations.

Hoshizaki reserves the right to change specifications without notice.



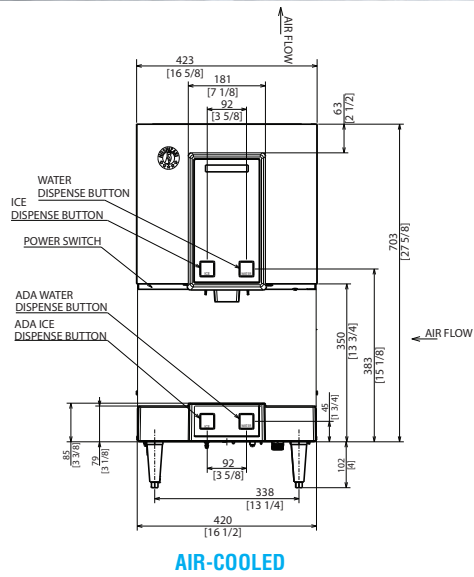
# DCM-271BAH

## CUBELET ICE MACHINE AND WATER DISPENSER

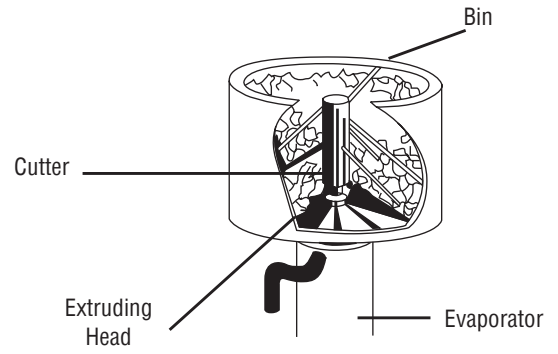


DCM-271BAH  
02/01/21  
Item # 13549

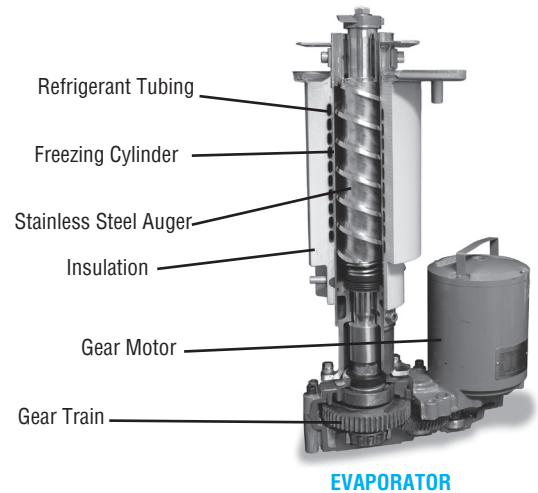
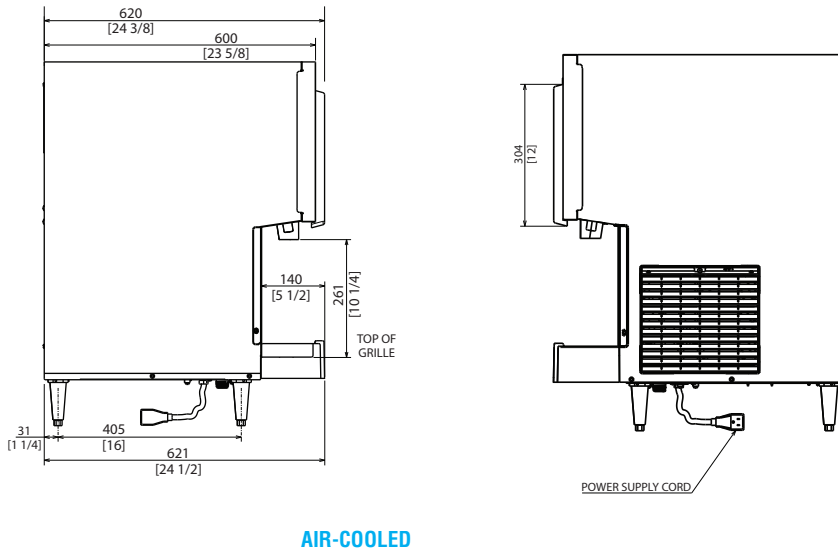
FRONT VIEW



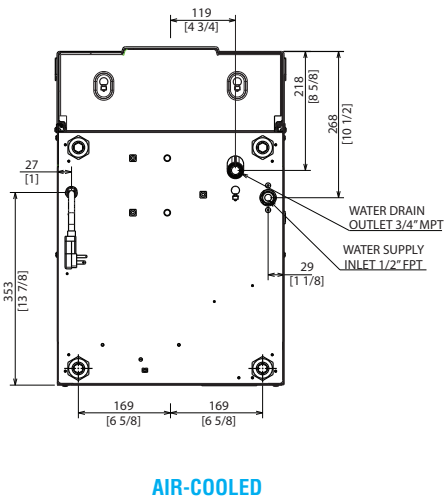
inch  
[mm]



SIDE VIEW



BOTTOM VIEW



*NOTE: DCM-271BAH is made to pair with SD-271 stand. Placing a DCM-271BAH on SD-270 stand will require a new drain hole to be cut.*